

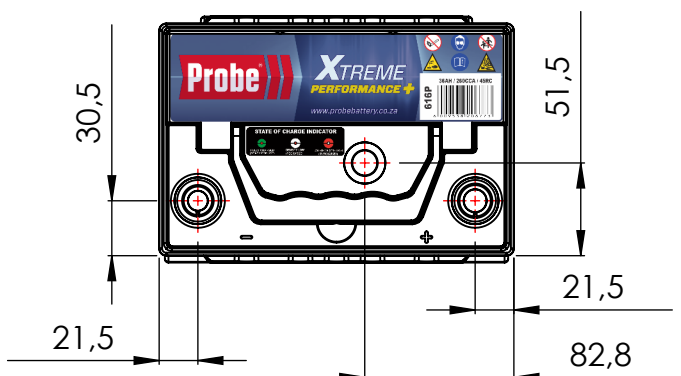
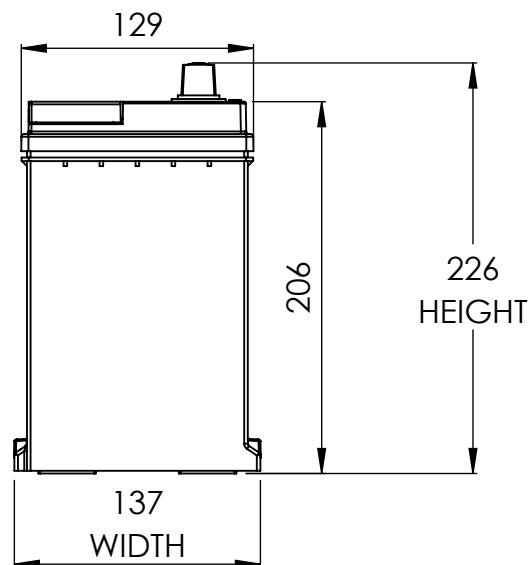
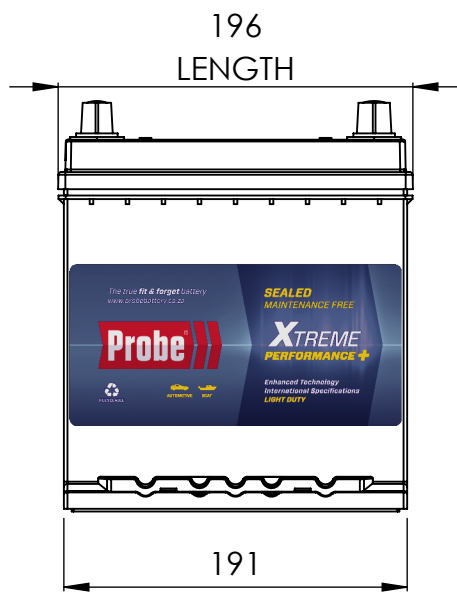


MODEL: 616P
TECHNOLOGY: Lead Acid Battery
DIMENSIONS: mm
COLOR: Black
WET WEIGHT: 10,10 kg
MATERIAL: Polypropylene (PP)
DIMENSIONS (LxWxH) mm: 196 x 137 x 226



SPECIFICATIONS

NOMINAL VOLTAGE	PERFORMANCE			BCI GROUP
	C20 (Ah) CAPACITY (Ah)	CCA (A) SAE -18°C COLD CRANKING (A) SAE -18°C	RC (MINUTES) RESERVE CAPACITY	
12V	36	260	45	51N



TERMINAL	
TERMINAL TYPE	
2	2
<p>18 ±1</p> <p>Ø 14,7 ±0,3</p> <p>POSITIVE TERMINAL CONICITY 1:9</p>	<p>18 ±1</p> <p>Ø 13 ±0,3</p> <p>NEGATIVE TERMINAL CONICITY 1:9</p>
RECOMMENDED TORQUE: 8 - 10 N.m	



PROBE CORPORATION SA
 245 Albert Amon Road, Meadowdale, Germiston 1614
 Tel: +27 (0) 11 453 0924 | E-mail: probe@probegroup.co.za | Website: www.probegroup.co.za